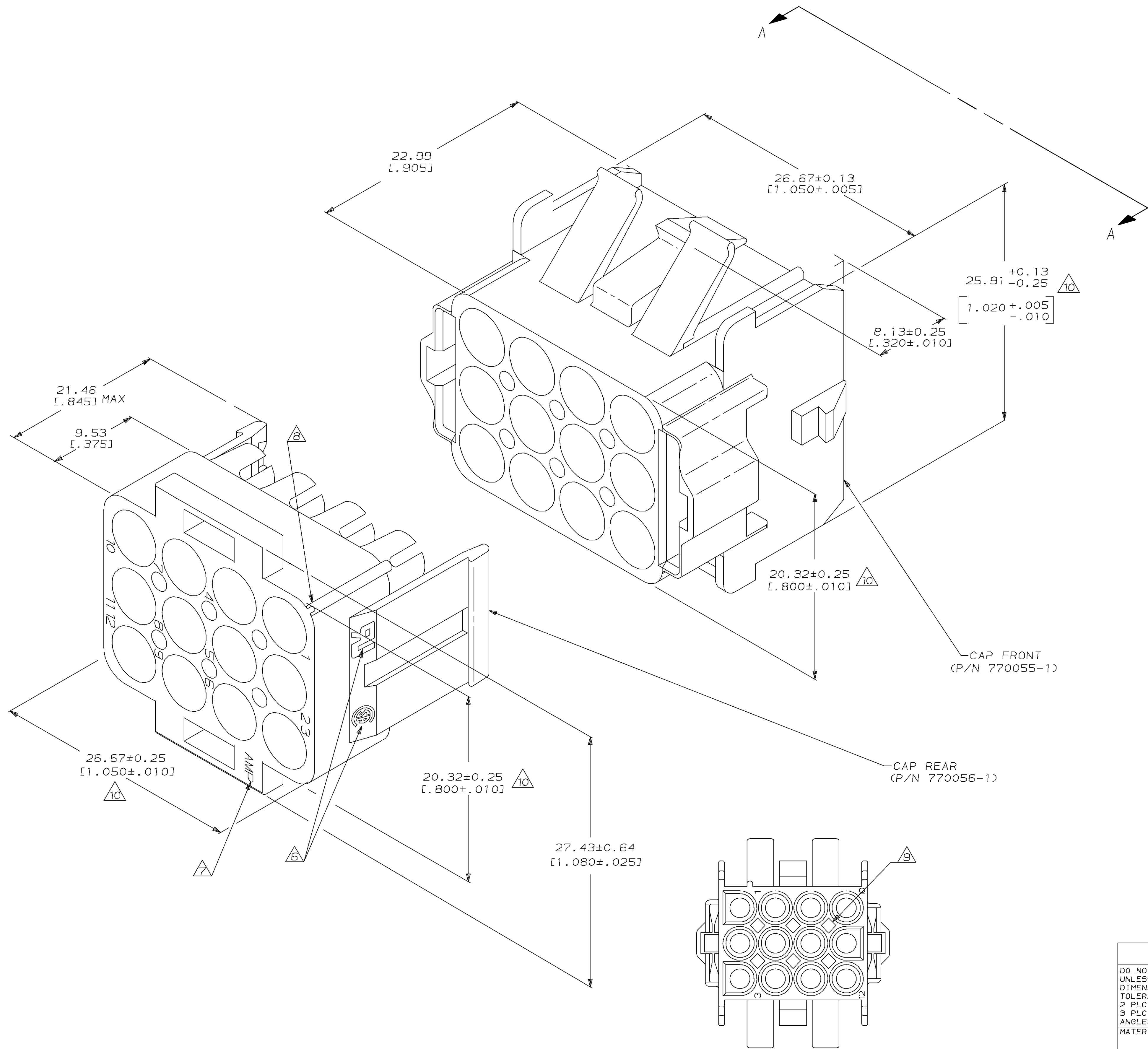
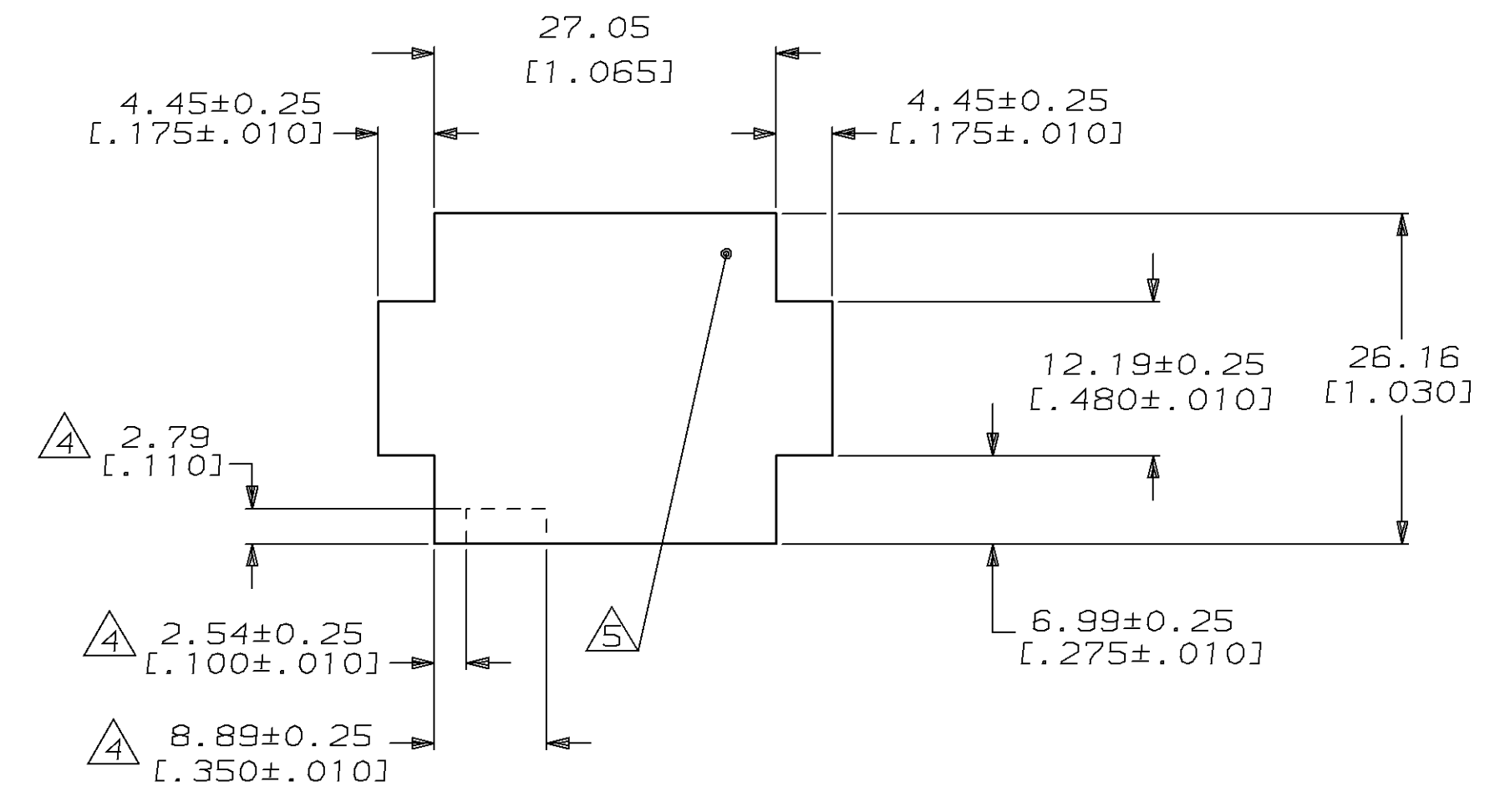


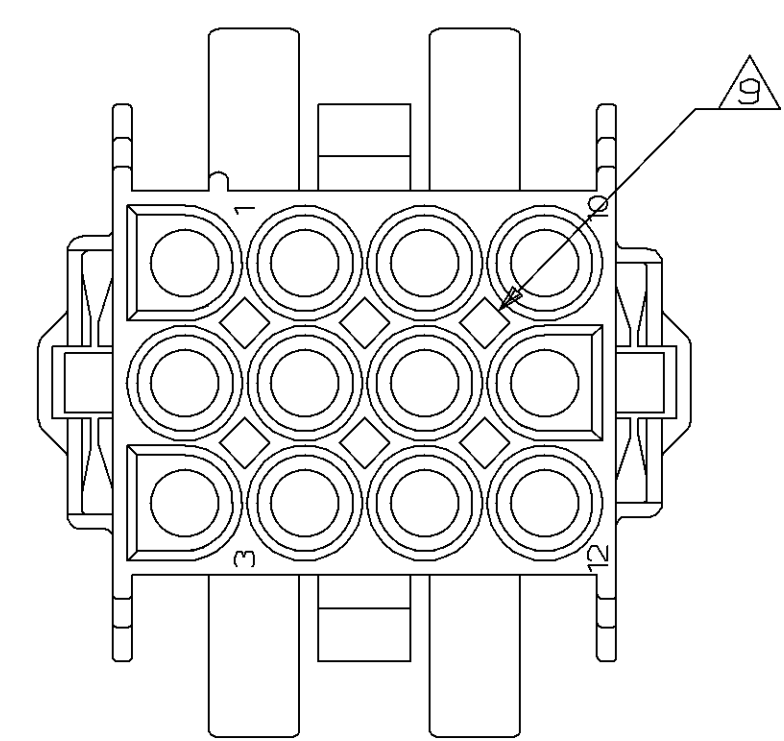
LOC		DIST		P		F		ZONE		LTR		REVISIONS		DATE	APPD		
												DESCRIPTION					
CM	53												6	REV PER EC	OL30-0034-96	8-30-96	JH



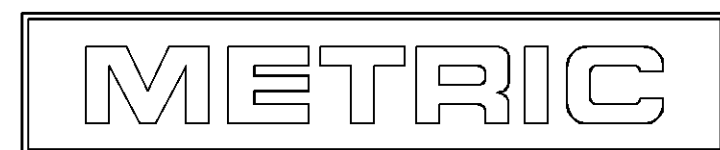
1. BULK PACKAGED, UNASSEMBLED.
2. RECOMMENDED PANEL THICKNESS 0.76-2.29 [0.030-.090].
3. PANEL MUST BE PUNCHED SO THAT THE HOUSING ENTERS THE PANEL IN THE SAME DIRECTION AS THE PUNCH.
4. OPTIONAL FOR KEYING HOUSING IN PANEL.
5. CIRCUIT NO. 1 LOCATON.
6. APPROVAL AGENCY LOGO LOCATED APPROXIMATELY AS SHOWN.
7. AMP LOGO LOCATED THIS SURFACE.
8. CIRCUIT NUMBER ONE IDENTIFICATION RIB AND CIRCUIT IDENTIFICATION NUMBERS ARE EACH LOCATED ADJACENT TO THE APPROPRIATE CIRCUIT CAVITIES.
9. OPTIONAL CONSTRUCTION PROVIDES ROUND MATERIAL REDUCTION CORING HOLES.
10. DIMENSION INDICATED IS AS MOLDED. ADDITIONAL GROWTH DUE TO SUBSEQUENT MOISTURE ABSORPTION MAY OCCUR.



RECOMMENDED PANEL CUTOUT
 (HOUSING ENTRY SIDE)
 SCALE 2:1



VIEW A-A
 SCALE 2:1



770029-1
 PART NUMBER

DO NOT SCALE PRINT. UNLESS SPECIFIED DIMENSIONS IN INCHES TOLERANCES ON:		DR 1-22-92 K. SALMON		PART NO	
1 PLC DEC ± 0.13 [0.005]		CHK 1-22-92 R. SWING		AMP INCORPORATED Harrisburg, Pa. 17105	
2 ANGLES ±		APPD 1-22-92 M. TRULL		NAME	
MATERIAL NYLON, UL94V-0,		APPD 1-22-92 M. TRULL		CAP HOUSING KIT, 12 CIRCUIT, UNIVERSAL MATE-N-LOK™ II	
FINISH		PRODUCT SPEC		SIZE	
APPLICATION SPEC		DRAWING NO		D	
WEIGHT		SCALE		F5CM NO	
		5:1		00779	
				DRAWING NO	
				770029	
				SHEET	
				1 OF 1	

CUSTOMER DRAWING